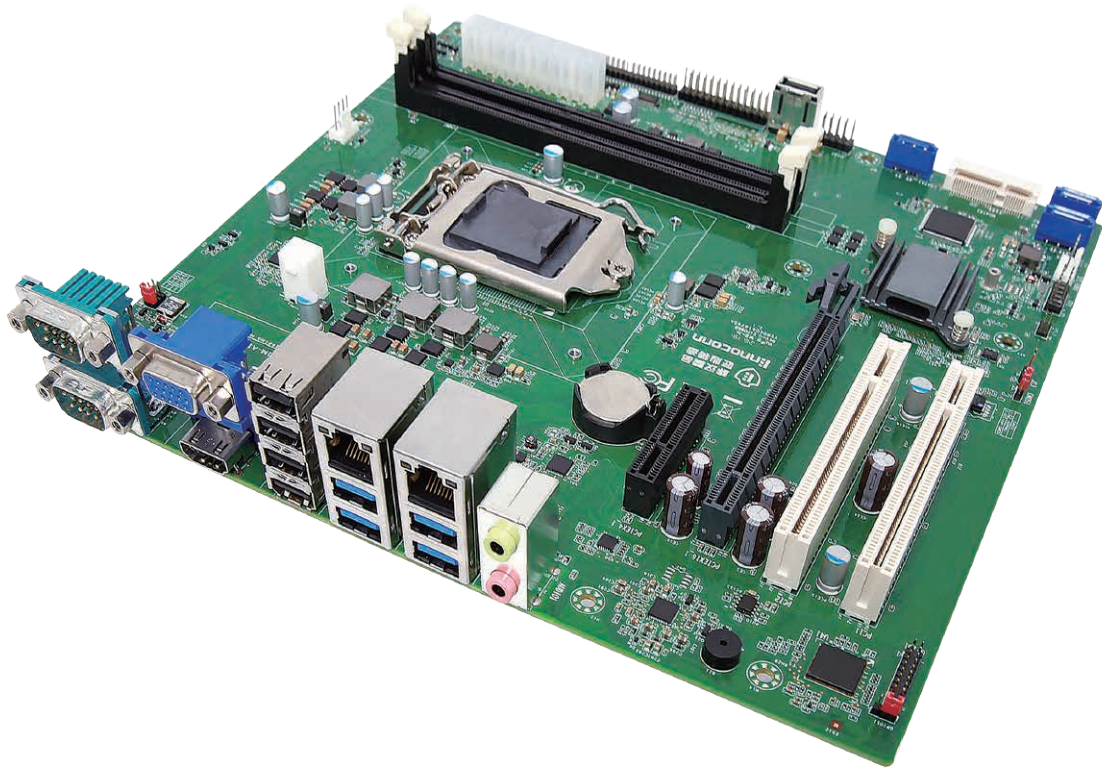


eSBC

by Ennoconn

3000

7th Gen Intel® Core™ i7/i5/i3 Processor (Kaby Lake-S)
MicroATX Motherboard



- 7th Gen Intel® Core™ i7/i5/i3 Processor (Kaby Lake-S) MicroATX Motherboard running with Intel® H110 chipset supports max 65W TDP CPU
- 0°C to 60°C Operating Temperature
- DDR3L 1600MHz U-DIMM, up to 16GB
- Dual Display: 1 HDMI, 1 VGA
- 10 COM, 10 USB, 3 SATA III, 1 mSATA
- Expansion : 1 PCIe x16, 1 PCIe x4, 2 PCI

Machine Vision



Gaming



Self-Service



Smart Manufacturing



Vecow

Specifications

System

| | |
|-----------|---|
| Processor | 7th Gen Intel® Core™ i7/i5/i3 Processor (Kaby Lake-S) |
| Chipset | Intel® H110 |
| BIOS | AMI |
| SIO | NCT6126D |
| Memory | 1 DDR3L 1600MHz U-DIMM, up to 16GB |
| OS | Windows 7, 8, 10, Linux |

Graphics

| | |
|-----------|---|
| Processor | Intel® HD Graphics 530 |
| Interface | Dual independent display : - 1 HDMI : Up to 2560 x 1600 @60Hz - 1 VGA : Up to 1920 x 1200 @60Hz |

Ethernet

| | |
|-------|--------------------------------------|
| LAN 1 | Intel® I219LM GigE LAN supports iAMT |
| LAN 2 | Intel® I211AT GigE LAN |

Audio

| | |
|-----------------|---------------------------------------|
| Audio Codec | Realtek® ALC269, 2.1 Channel HD Audio |
| Audio Interface | 1 Mic-in, 1 Line-out |

I/O Interface

| | |
|--------------|--|
| Front I/O | - 1 Power LED - 1 HDD LED - 1 Reset Button - 1 Power Button - 1 HDMI Connector - 1 VGA - 4 USB 2.0 Connector - 4 USB 3.0 Connector - 2 RJ45 Connector - 2 COM RS-232/422/485 Connector with Auto Flow |
| Internal I/O | - 1 USB 2.0 Type-A Connector - 1 USB 2.0 Connector - 1 GPIO Connector - 1 PS/2 Connector - 8 COM RS-232 Connector - 1 LPT Connector |

Storage

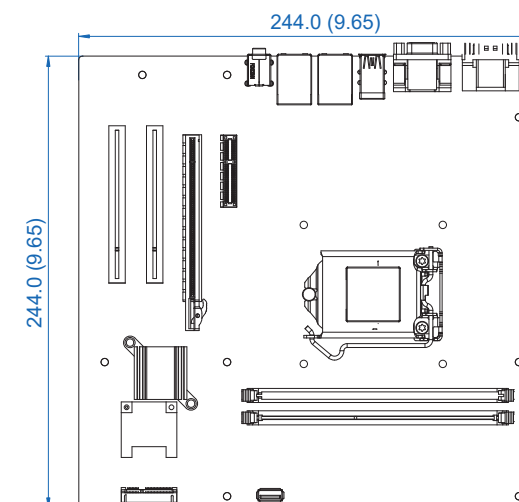
| | |
|-------|--------------------|
| SATA | 3 SATA III (6Gbps) |
| mSATA | 1 SATA III (6Gbps) |

Expansion

| | |
|------|---------------------------------------|
| PCIe | - 1 PCIe x16 Slot - 1 PCIe x4 Slot |
| PCI | 2 PCI Slot |

Dimensions & Drawing

Unit : mm (inch)



Power

| | |
|-----------------|--|
| Power Input | +12V +5V +3.3V 5VSB 7.25A 0.58A 0.27A 0.07A |
| Power Type | ATX |
| Power Interface | 2 12-pin ATX Power Connector |

Mechanical

| | |
|------------|-----------------------------------|
| Dimensions | 244.0mm x 244.0mm (9.65" x 9.65") |
|------------|-----------------------------------|

Environment

| | |
|-------------------|------------------------------------|
| Operating Temp. | 0°C to 60°C (32°F to 147°F) |
| Storage Temp. | -40°C to 85°C (-40°F to 185°F) |
| Humidity | 5% to 95% Humidity, non-condensing |
| Relative Humidity | 95% @60°C |
| EMC | CE, FCC |

Packing List

| | |
|------------------------|----|
| eSBC-3000 MicroATX MB | x1 |
| Driver/User Manual DVD | x1 |
| Standard Kit | |
| - SATA Signal Cable | x1 |
| - IO SHIELDING | x1 |

Order Information

| Model | GigE LAN | USB 3.0 | USB 2.0 | HDMI | VGA | COM | SATA III | PCIe | PCI |
|-----------|----------|---------|---------|------|-----|-----|----------|------|-----|
| eSBC-3000 | 2 | 4 | 6 | 1 | 1 | 10 | 4 | 2 | 2 |

CPU List

| Series | CPU | GHz | TDP (W) | CPU | GHz | TDP (W) | ECC RAM |
|--------------|----------|-----|---------|-----------|-----|---------|---------|
| Intel® Core™ | i7-7700 | 4.2 | 65 | i7-7700T | 3.8 | 35 | N/A |
| | i7-6700 | 4 | 65 | i7-6700TE | 3.4 | 35 | N/A |
| | i5-7500 | 3.8 | 65 | i5-7500T | 3.3 | 35 | N/A |
| | i5-6500 | 3.6 | 65 | i5-6500TE | 3.3 | 35 | N/A |
| | i3-7101E | 3.9 | 65 | i3-7101TE | 3.4 | 35 | Y |
| | i3-6100 | 3.7 | 65 | i3-6100TE | 2.7 | 35 | Y |

Optional Accessories

| | |
|----------------|-------------------|
| 61-15E30DP-509 | Displayport Cable |
|----------------|-------------------|

* All product information may subject to change without prior notice.
* The rights of all brand names, product names and trademarks belong to their respective owners.
Copyright © 2021 Vecow Co., Ltd. All rights reserved.